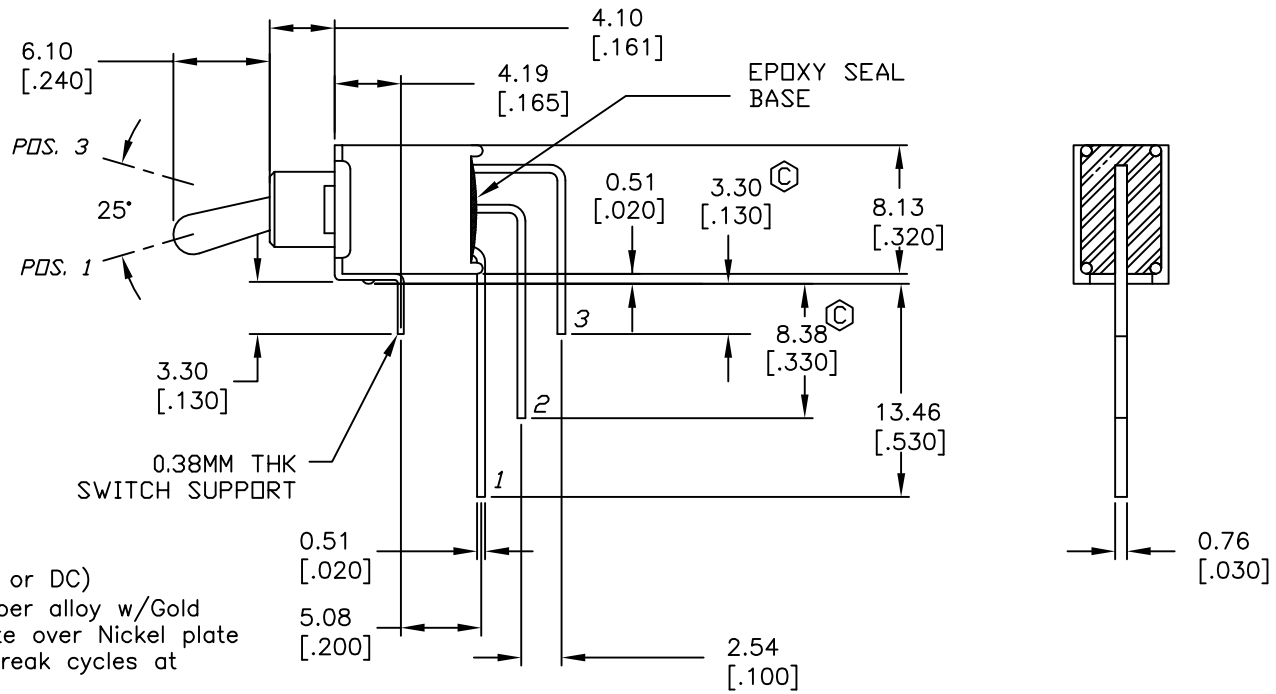
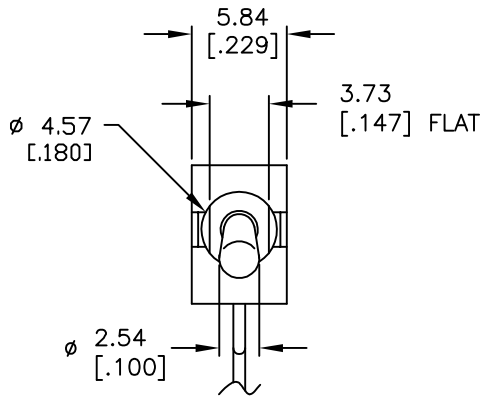
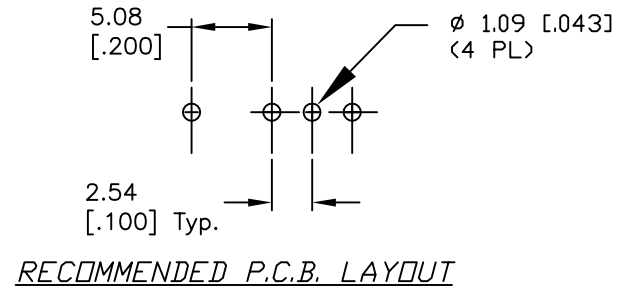
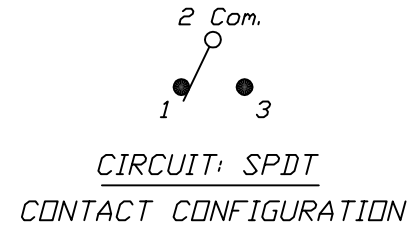


SWITCH FUNCTION		
PDS. 1	PDS. 2	PDS. 3
ON	NONE	ON
2-3	N/A	2-1



NOTES:

1. ALL DIMENSIONS IN MM [INCH]
2. GENERAL TOLERANCE: X.X=±0.4
X.XX=±0.25
3. TERM. NOS. FOR REF. ONLY
4. RATING: 0.4(VA) max. @20V max. (AC or DC)
5. FIXED TERM. & MOVING CONTACT: Copper alloy w/Gold plate over Nickel plate
6. ELECTRICAL LIFE: 50,000 make-and-break cycles at full load.
7. INSULATION RESISTANCE: 1000M ohm min.
8. DIELECTRIC STRENGTH: 1000V RMS min. @sea level.
9. OPERATING TEMP.: -30°C to 85°C
10. HOUSING AND BUSHING MEET 94-V0 (GLASS FILLED NYLON 66)
11. 2002/95/EC (ROHS) COMPLIANT

D	19337	NOTE THE 94-V0 RATING	10/1/10	BLR
C	19283	ADD LEAD LENGTH DIMS	8/31/10	BLR
B	11968	REVISED PART DESCRIPTION	4/10/01	CJB
		WAS 200AWP1T2A1M7R		
REV.	ECN No.	DESCRIPTION	DATE	CHKD



TITLE					200A WMSP-1 T2 A1 M7 R E				
SCALE	DATE	DR	DWG	REV	2:1	4/10/01	CJB	T201106	D

THE INFORMATION CONTAINED IN THIS DOCUMENT IS PROPRIETARY TO E-SWITCH AND IS NOT TO BE COPIED OR TRANSFERRED